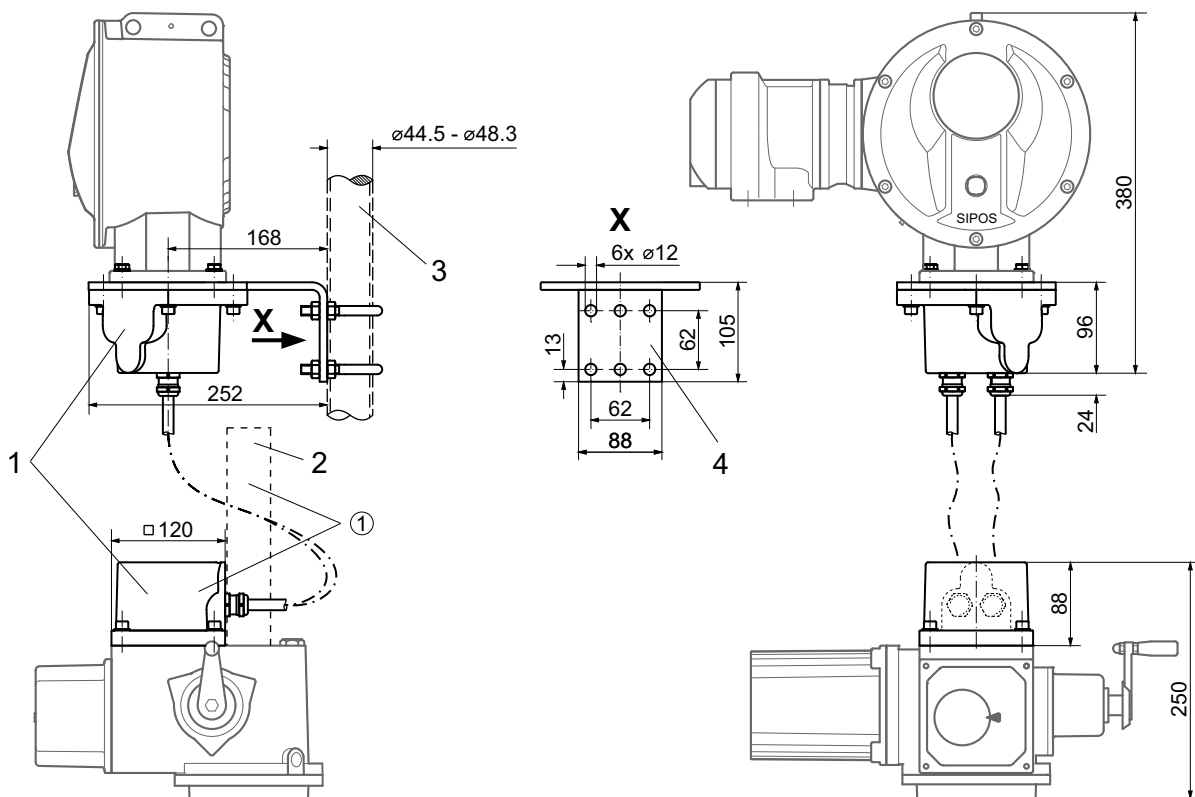
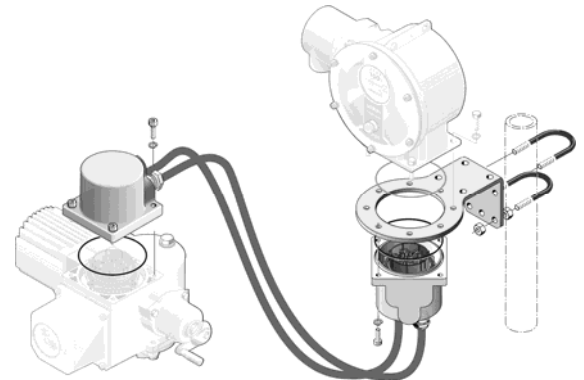


Additional dimensional drawing **Separate mounting**

R866881

Valid for:	Dimensional drawing	
	ECOTRON / PROFITRON	HiMod
2SA701.-, 2SA702.-, 2SA731.-, 2SA732.-, 2SA751.-, 2SA752.-, 2SA781.-, 2SA782.-	R866851	R866861



Missing dimensions refer to dimensional drawing

- ① For version with spindle protection tube, the plug element integrated into the connector hood has to be lifted by loosening the 4 fixing screws and inserted again shifted by 90° or 180°. The cable glands then point in direction of the motor or the position indicator.

Caution: Connecting cables must not touch the motor as the motor might become very hot at full load!

- | | |
|---|------------------------------------|
| 1 Connector hoods for separate mounting | 2 Spindle protection tube (option) |
| 3 Pipe mounting | 4 Wall mounting |