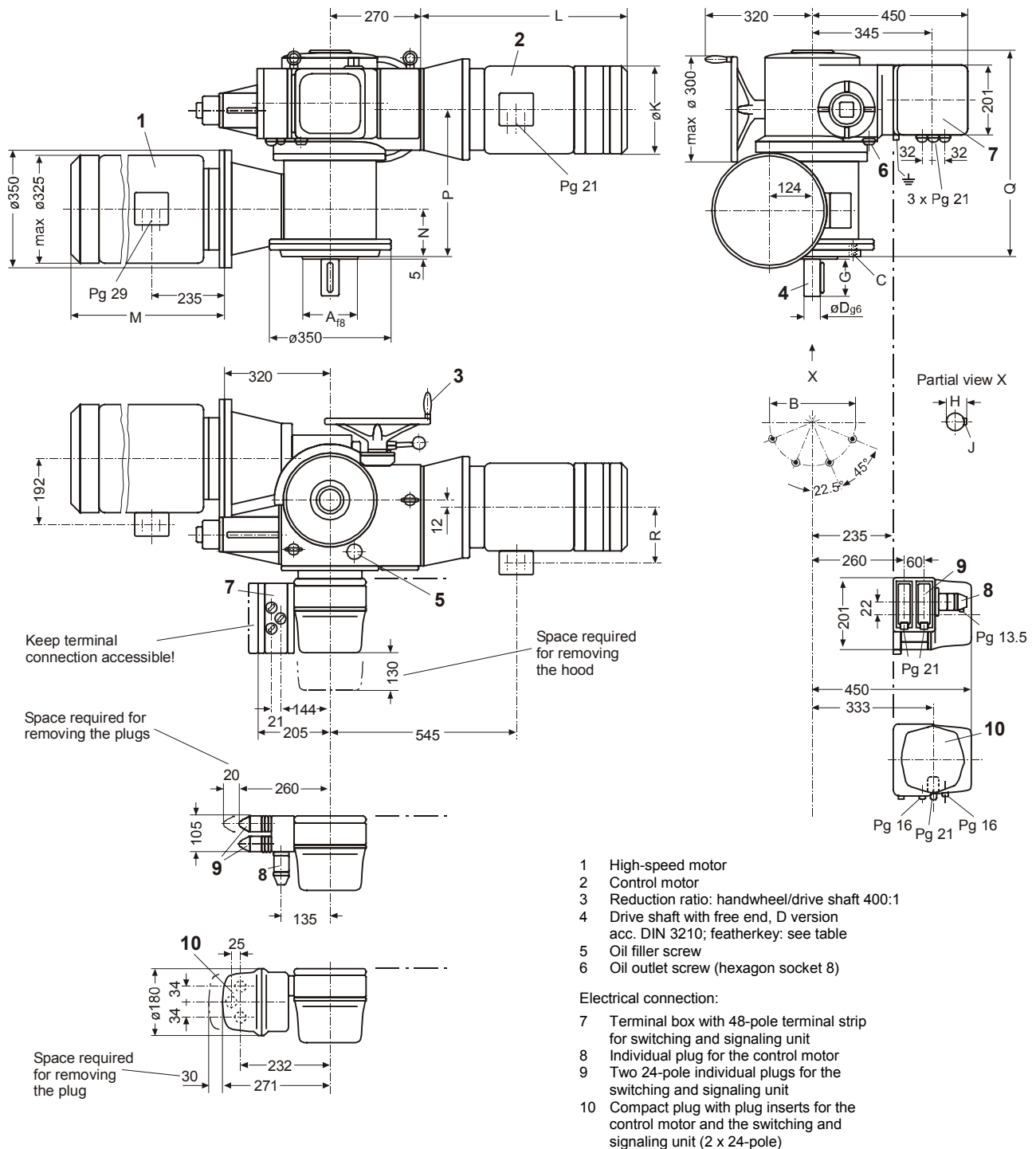


Dimensional drawing **M76348-E, M76348-F**



Double-motor actuator	Size acc. DIN 3210	Cut-off torque	A	B	C Threaded bores	D	G	H	J Featherkey acc. DIN 6885, sheet 1	K max	L max	M max	N	P	Q	R
<b>M76348-E</b>	<b>4</b>	<b>1500 Nm</b>	160	254	8 x M 16, 20 deep	50	110	53.5	A 14 x 9 x 100	207	500	525	158	430	605	135
<b>M76348-F</b>	<b>5</b>	<b>3000 Nm</b>	180	300	8 x M 20, 28 deep	60	120	64	A 18 x 11 x 110	272	610	525	148	420	595	177