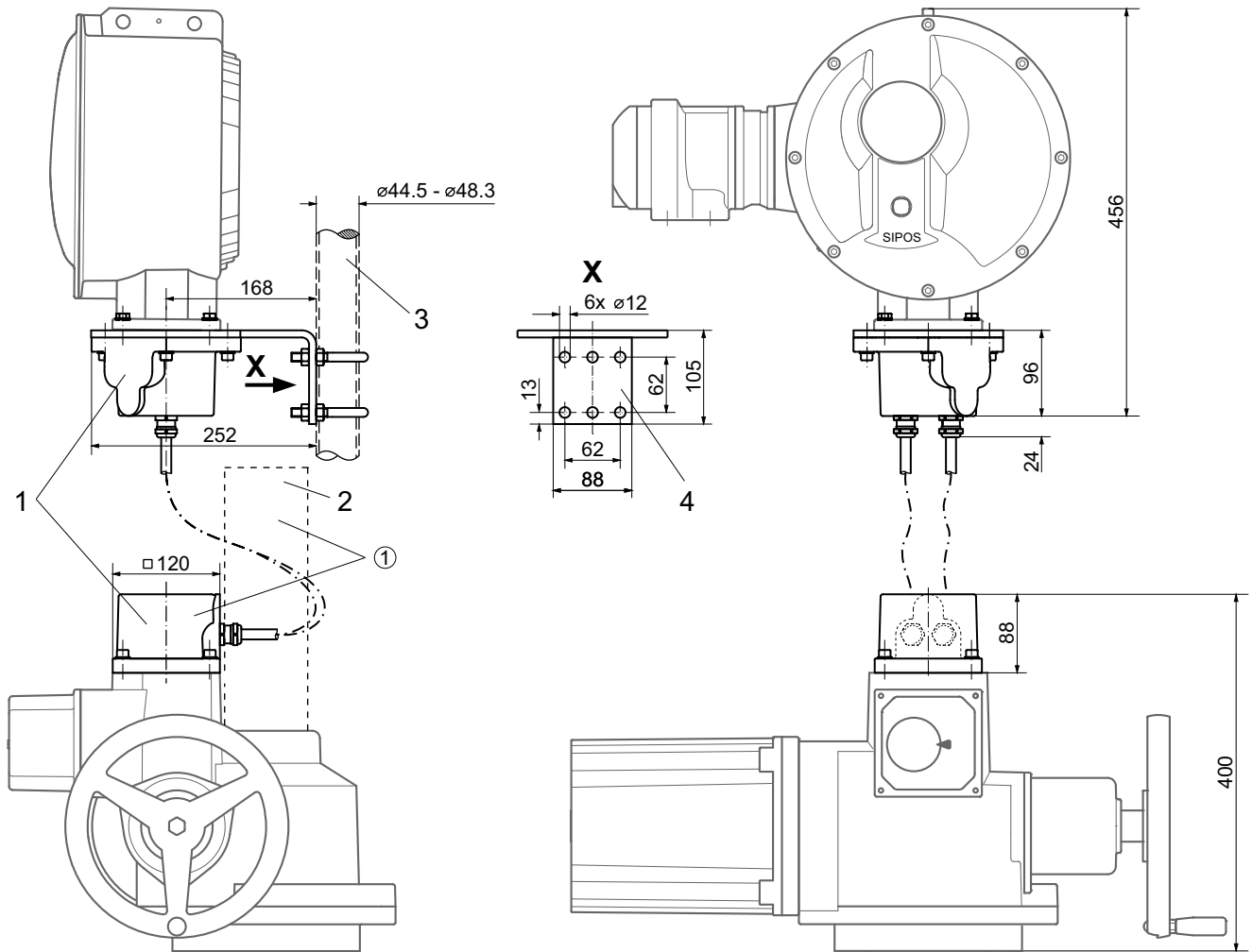
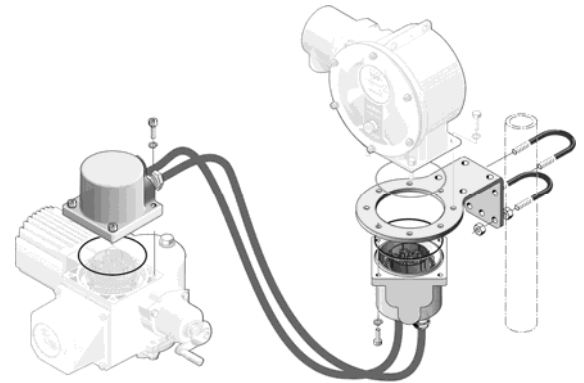


Additional dimensional drawing **Separate mounting**

R866884

Valid for:	Dimensional drawing	
	ECOTRON / PROFITRON	HiMod
2SA705.-, 2SA706.-, 2SA735.-, 2SA736.-, 2SA755.-, 2SA756.-, 2SA785.-, 2SA786.-	R866884	R866864
2SA707.-, 2SA708.-, 2SA737.-, 2SA738.-, 2SA757.-, 2SA758.-, 2SA787.-, 2SA788.-	R866855	R866865



Missing dimensions refer to dimensional drawing

① For version with spindle protection tube, the plug element integrated into the connector hood has to be lifted by loosening the 4 fixing screws and inserted again shifted by 90° or 180°. The cable glands then point in direction of the motor or the position indicator.

Caution: Connecting cables must not touch the motor as the motor might become very hot at full load!

- 1 Connector hoods for separate mounting
- 2 Spindle protection tube (option)
- 3 Pipe mounting
- 4 Wall mounting