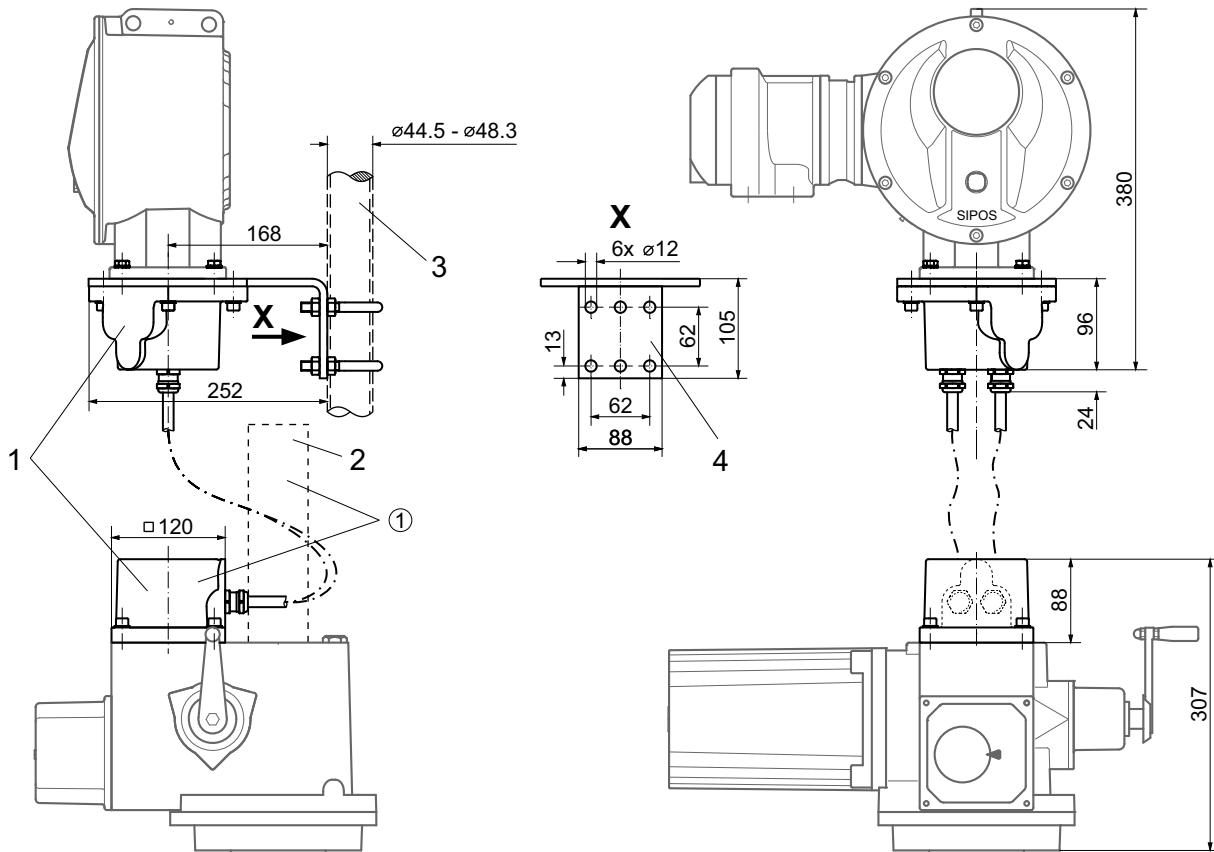
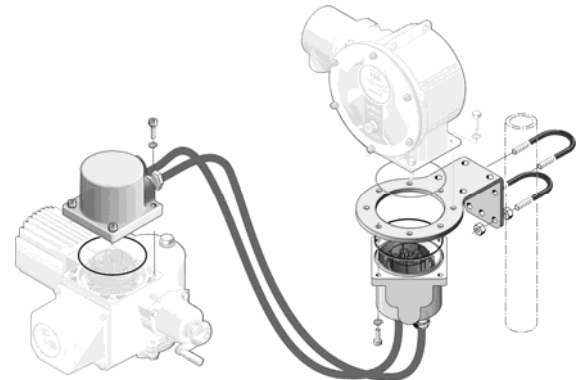


Additional dimensional drawing **Separate mounting**

R866882

Valid for:	Dimensional drawing	
	ECOTRON / PROFITRON	HiMod
2SA703.-, 2SA704.-C, 2SA733.-, 2SA734.-C, 2SA753.-, 2SA754.-C, 2SA783.-, 2SA784.-C	R866852	R866862



Missing dimensions refer to dimensional drawing

- ① For version with spindle protection tube, the plug element integrated into the connector hood has to be lifted by loosening the 4 fixing screws and inserted again shifted by 90° or 180°. The cable glands then point in direction of the motor or the position indicator.

Caution: Connecting cables must not touch the motor as the motor might become very hot at full load!

- 1 Connector hoods for separate mounting
3 Pipe mounting

- 2 Spindle protection tube (option)
4 Wall mounting