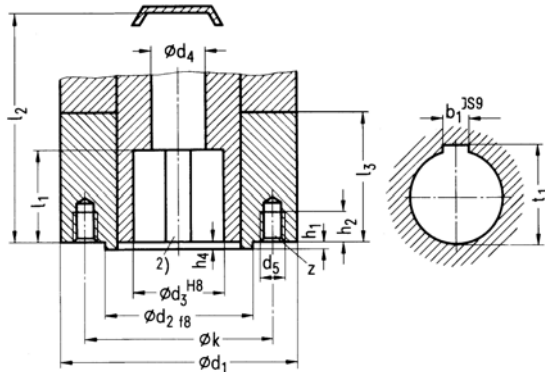


### Dimensional drawing Flange and output shaft acc. DIN 3210

See design B for missing dimensions in designs C, D and E

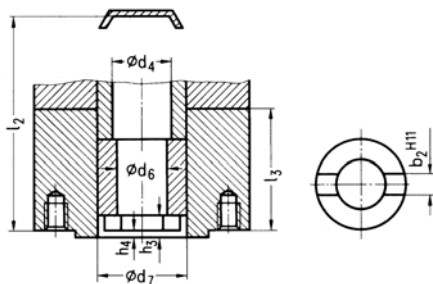
#### Design B : Hollow shaft with insert bush



| Type<br>M7636.<br>M7637. | Size | d <sub>1</sub> | k   | d <sub>2</sub> | d <sub>3</sub> | d <sub>4</sub> | d <sub>5</sub> | z <sup>1)</sup> | h <sub>1</sub> | h <sub>2</sub> | h <sub>4</sub> | l <sub>1</sub> | l <sub>2</sub> | l <sub>3</sub> | b <sub>1</sub> | t <sub>1</sub> |
|--------------------------|------|----------------|-----|----------------|----------------|----------------|----------------|-----------------|----------------|----------------|----------------|----------------|----------------|----------------|----------------|----------------|
| - C                      | 0    | 125            | 102 | 60             | 42             | 27,8           | M10            | 4               | 3              | 14             | 3              | 45             | 195            | 59             | 12             | 45,3           |
| - E                      | 0    | 125            | 102 | 60             | 42             | 36             | M10            | 4               | 3              | 12,5           | 3              | 45             | 210            | 70             | 12             | 45,3           |
| - F                      | 1/2  | 175            | 140 | 100            | 60             | 53             | M16            | 4               | 4              | 22             | 2              | 64             | 320            | 96             | 18             | 64,4           |
| - G                      | 1/2  | 175            | 140 | 100            | 60             | 53             | M16            | 4               | 4              | 27             | 2              | 78             | 340            | 114            | 18             | 64,4           |
| - M                      | 3    | 205            | 165 | 130            | 80             | 71,5           | M20            | 4               | 5              | 27             | 4              | 89             | 480            | 120            | 22             | 85,4           |
| - N                      | 3    | 205            | 165 | 130            | 80             | 71,5           | M20            | 4               | 5              | 24             | 4              | 110            | 505            | 145            | 22             | 85,4           |
| - S                      | 4    | 300            | 254 | 160            | 100            | 63             | M16            | 8               | 5              | 20             | 1              | 117            | 450            | 175            | 28             | 106,2          |
| - U                      | 5    | 350            | 300 | 180            | 120            | 74             | M20            | 8               | 5              | 25             | 1              | 130            | 500            | 200            | 32             | 127,1          |

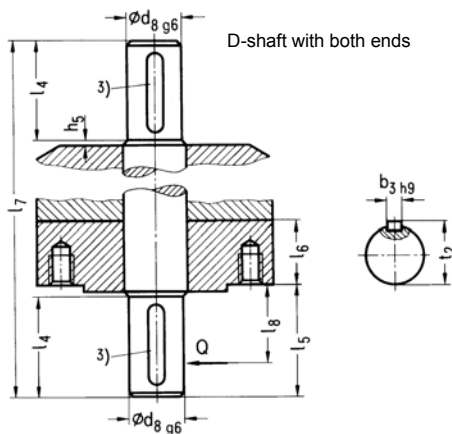
- 1) Number of threaded bores d<sub>5</sub>: arrangement to DIN 2501, sheet 1  
 2) Groove for featherkey A DIN 6885, sheet 1

#### Design C : Hollow shaft with claw coupling



| Type<br>M7636. -<br>M7637. - | Size | d <sub>4</sub> | d <sub>6</sub> | d <sub>7</sub> | h <sub>3</sub> | h <sub>4</sub> | l <sub>2</sub> | l <sub>3</sub> | b <sub>2</sub> |
|------------------------------|------|----------------|----------------|----------------|----------------|----------------|----------------|----------------|----------------|
| - C                          | 0    | 27,8           | 28             | 42             | 10             | 3              | 195            | 59             | 14             |
| - E                          | 0    | 36             | 28             | 55             | 10             | 3              | 210            | 70             | 14             |
| - F                          | 1/2  | 53             | 38             | 74             | 12             | 2              | 320            | 96             | 20             |
| - G                          | 1/2  | 53             | 38             | 74             | 12             | 2              | 320            | 96             | 20             |
| - M                          | 3    | 71,5           | 50             | 80             | 18             | 4              | 480            | 120            | 24             |
| - N                          | 3    | 71,5           | 50             | 80             | 18             | 4              | 480            | 120            | 24             |
| - S                          | 4    | 63             | 63             | 100            | 16             | 1              | 450            | 175            | 30             |
| - U                          | 5    | 74             | 74             | 120            | 18             | 1              | 500            | 200            | 40             |

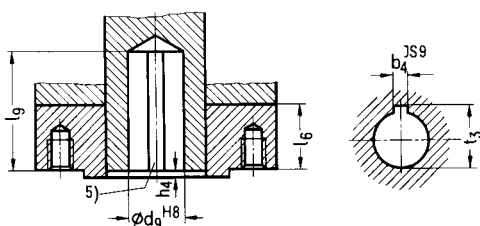
#### Design D : Free shaft end with featherkey



| Type<br>M7636. -<br>M7637. - | Size | d <sub>8</sub> | h <sub>5</sub> | l <sub>4</sub> | l <sub>5</sub> | l <sub>6</sub> | l <sub>7</sub> | l <sub>8</sub> | b <sub>3</sub> | t <sub>2</sub> | Q [kN] |
|------------------------------|------|----------------|----------------|----------------|----------------|----------------|----------------|----------------|----------------|----------------|--------|
| - C                          | 0    | 20             | 2              | 50             | 55             | 0              | 262            | 40             | 6              | 22,5           | 1,5    |
| - E                          | 0    | 20             | 2              | 50             | 55             | 25             | 288            | 40             | 6              | 22,5           | 2,5    |
| - F                          | 1/2  | 30             | 4              | 70             | 76             | 22             | 412            | 60             | 8              | 33             | 7      |
| - G                          | 1/2  | 30             | 4              | 70             | 76             | 27             | 458            | 60             | 8              | 33             | 7      |
| - M                          | 3    | 40             | 5              | 90             | 96             | 76             | -              | 80             | 12             | 43             | 12     |
| - N                          | 3    | 40             | 5              | 90             | 96             | 76             | -              | 80             | 12             | 43             | 12     |
| - S                          | 4    | 50             | 2              | 110            | 117            | 100            | 609            | 100            | 14             | 53,5           | 15     |
| - U                          | 5    | 60             | 2              | 120            | 127            | 80             | 644            | 110            | 18             | 64,2           | 18     |

- 1) Featherkey A DIN 6885, sheet 1  
 2) Not with rotary actuators M76361-M, -N and M76371-M, -N  
 Q Maximum permissible transverse load

#### Design E : Bore with featherkey slot



| Type<br>M7636. -<br>M7637. - | Size | d <sub>9</sub> | h <sub>4</sub> | l <sub>6</sub> | l <sub>9</sub> | b <sub>4</sub> | t <sub>3</sub> |
|------------------------------|------|----------------|----------------|----------------|----------------|----------------|----------------|
| - C                          | 0    | 20             | 2              | 0              | 55             | 6              | 22,8           |
| - E                          | 0    | 20             | 2              | 25             | 55             | 6              | 22,8           |
| - F                          | 1/2  | 30             | 2              | 22             | 74             | 8              | 33,3           |
| - G                          | 1/2  | 30             | 2              | 22             | 74             | 8              | 33,3           |
| - M                          | 3    | 40             | 2              | 27             | 95             | 12             | 43,3           |
| - N                          | 3    | 40             | 2              | 27             | 95             | 12             | 43,3           |
| - S                          | 4    | 50             | 1              | 76             | 120            | 14             | 53,8           |
| - U                          | 4    | 50             | 1              | 175            | 107            | 14             | 53,8           |
| - U                          | 5    | 60             | 1              | 200            | 118            | 18             | 64,4           |

- 5) Slot for featherkey A DIN 6885, sheet 1