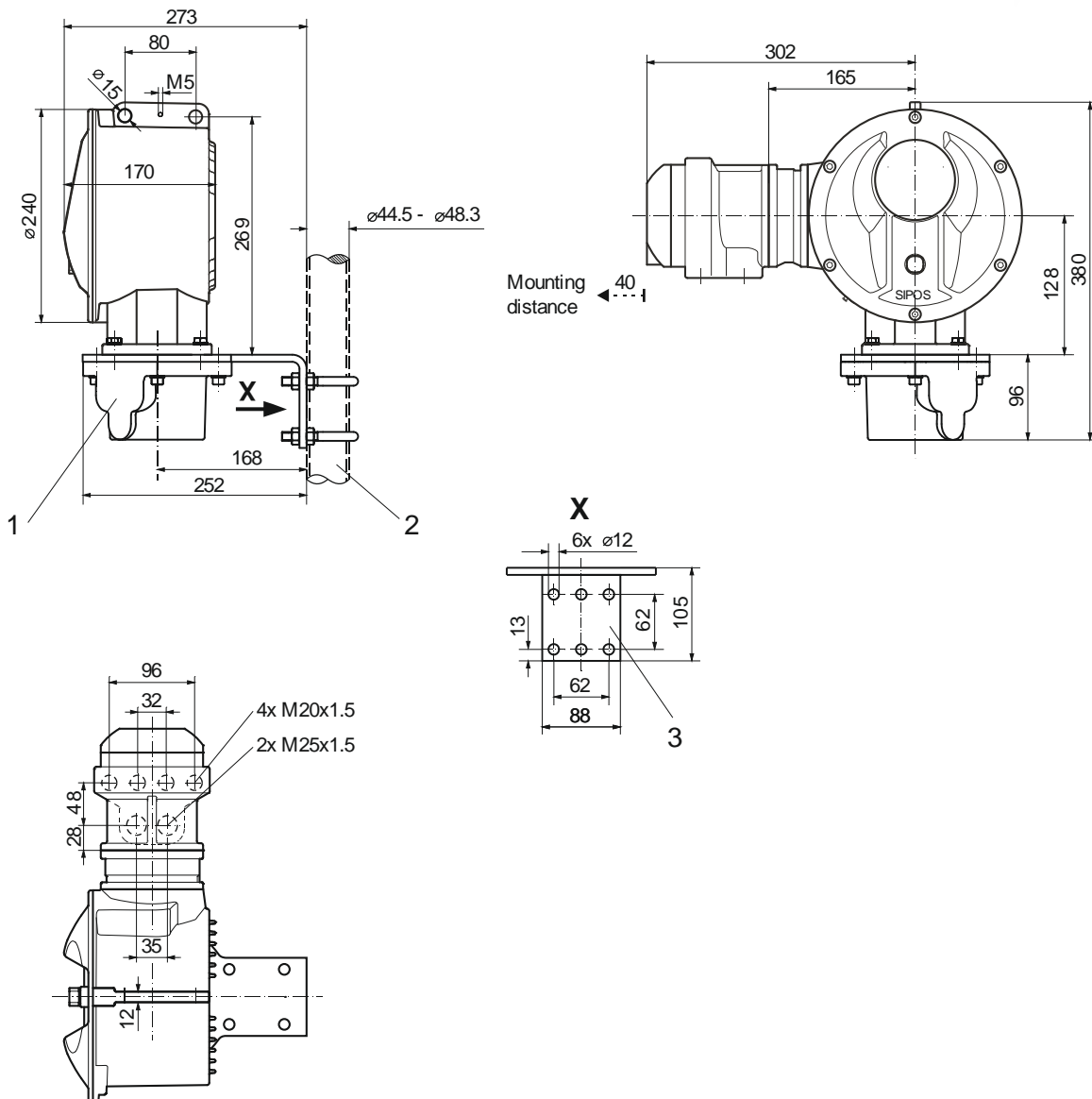


Dimensional drawing

Remote control unit 2SX7001-2



- 1 Protection hood
- 3 Wall mounting

- 2 Pipe mounting