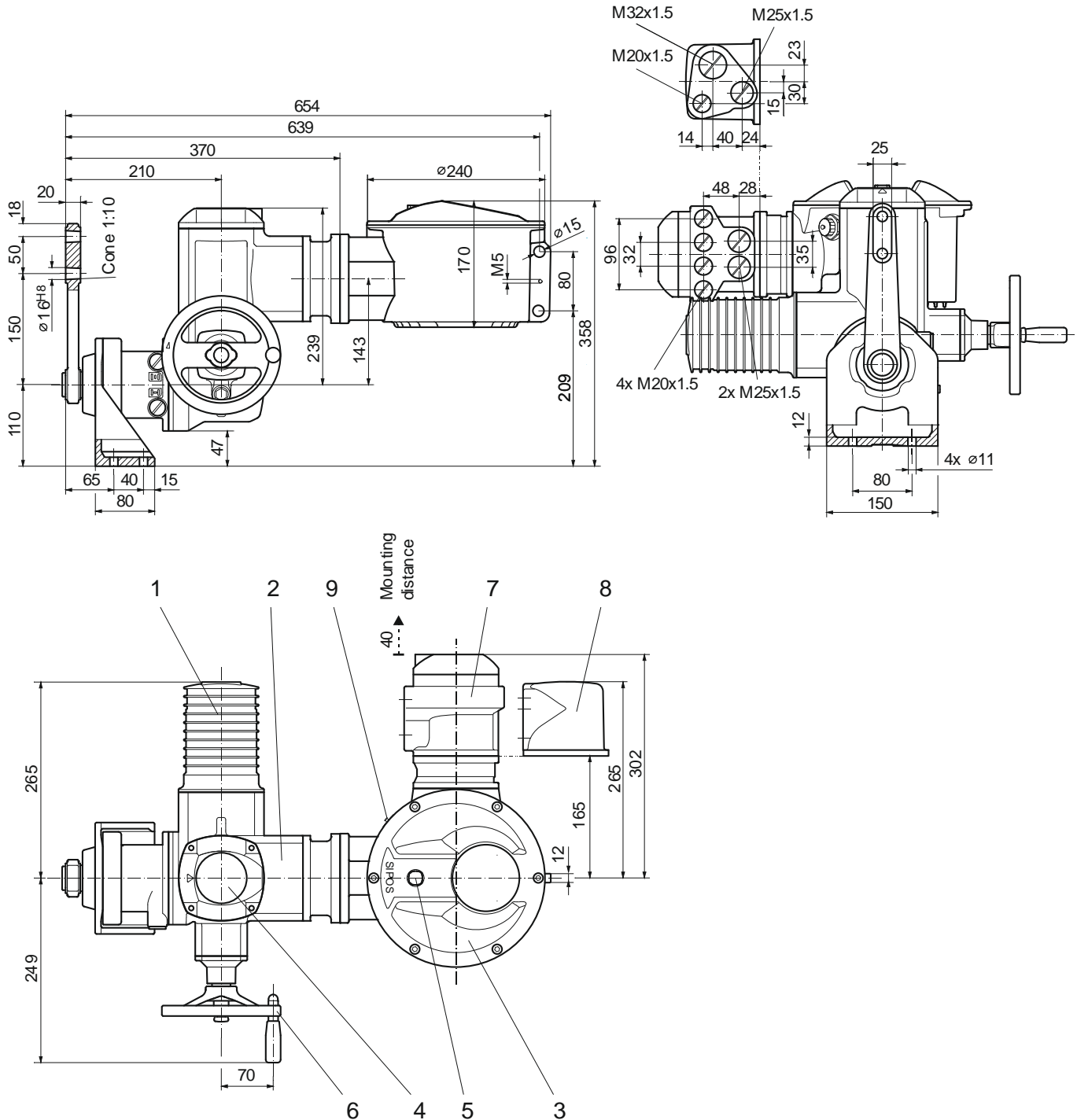


Dimensional drawing **2SQ7.28**

R866860



- |   |                  |   |                       |   |                                |
|---|------------------|---|-----------------------|---|--------------------------------|
| 1 | Motor            | 4 | Position indicator    | 7 | Field bus connection           |
| 2 | Gear unit        | 5 | Local control station | 8 | Plug connection                |
| 3 | Electronics unit | 6 | Hand wheel            | 9 | USB interface (only PROFITRON) |