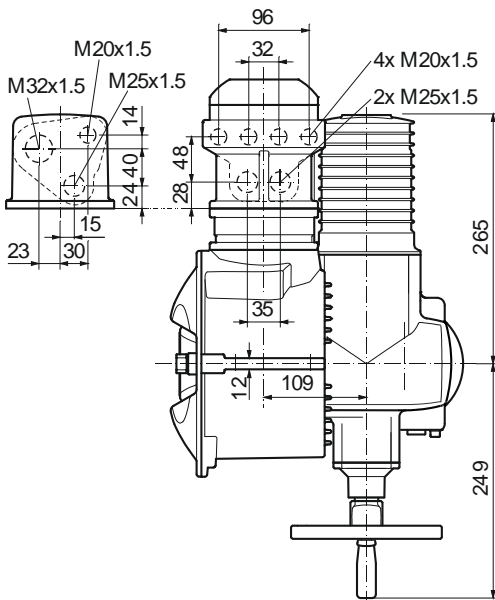
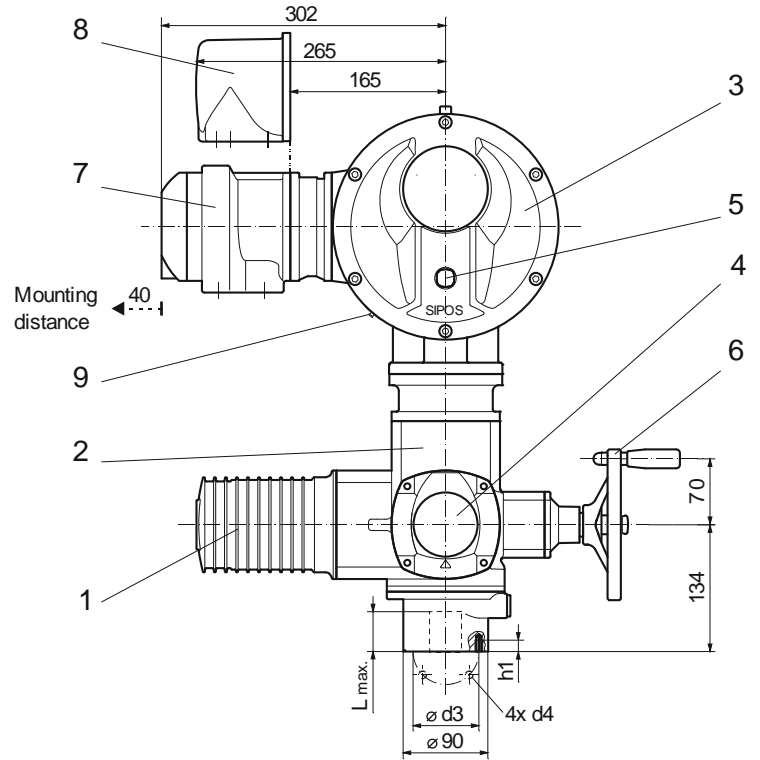
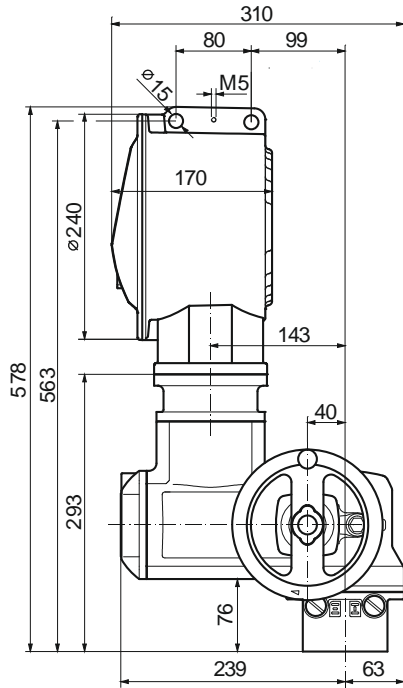


Dimensional drawing **2SQ7.21**

R866859



Dimensions	2SQ7.21	
	F05	F07
L max.	40	
∅ d3	50	70
d4	M6	M8
h1	12	15

- |                    |                         |                                  |
|--------------------|-------------------------|----------------------------------|
| 1 Motor            | 4 Position indicator    | 7 Field bus connection           |
| 2 Gear unit        | 5 Local control station | 8 Plug connection                |
| 3 Electronics unit | 6 Hand wheel            | 9 USB interface (only PROFITRON) |