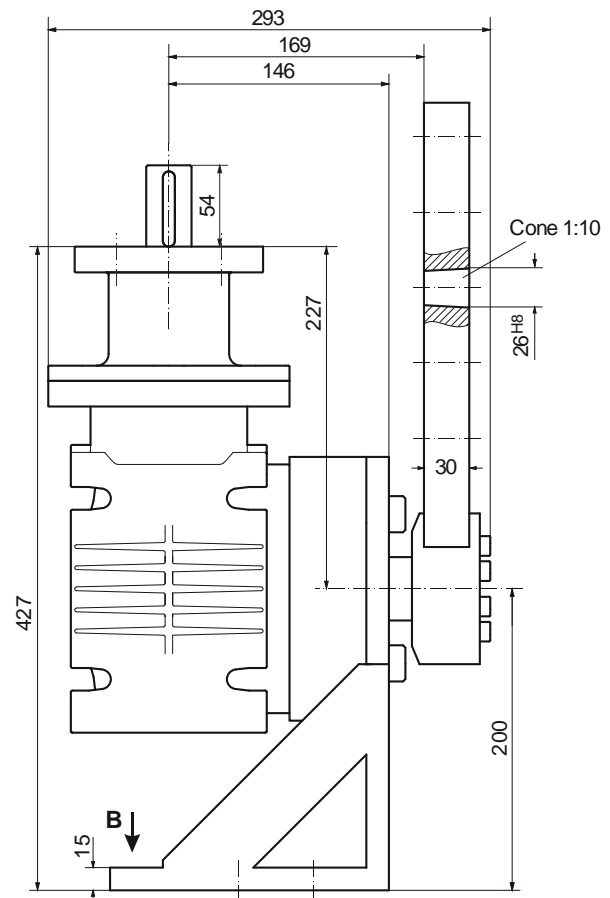
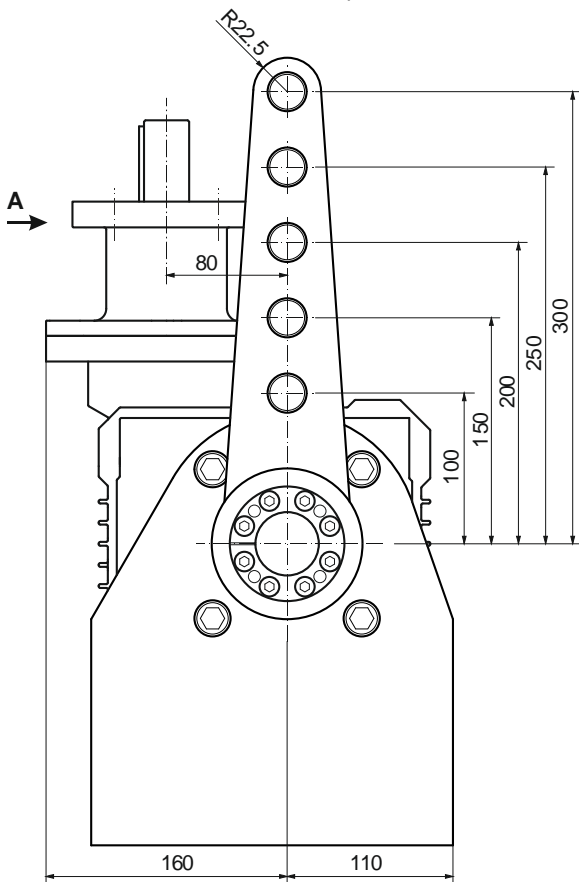


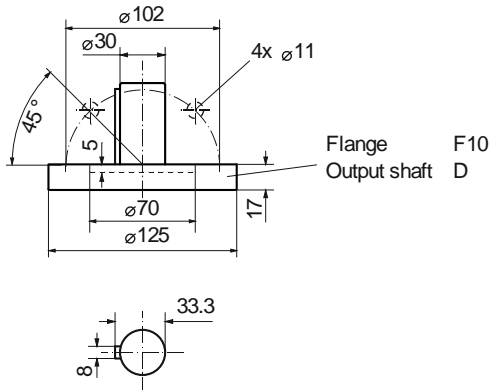
Dimensional drawing **2SP7838**



2SA7821-9 # H2Y Flange F10  
Output shaft B2/B4



Details A



Details B

