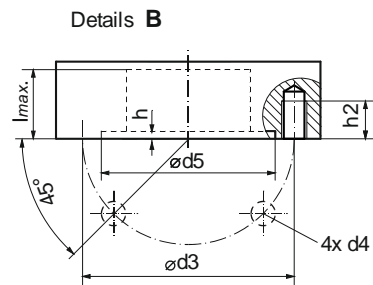
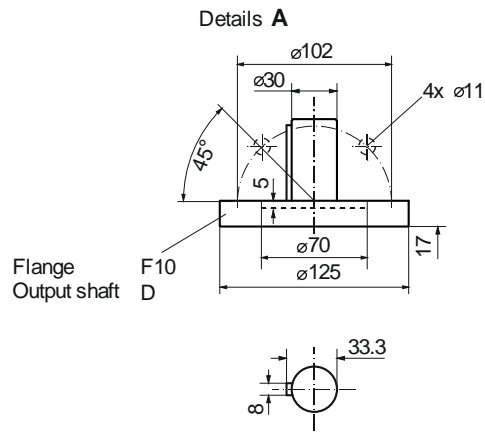
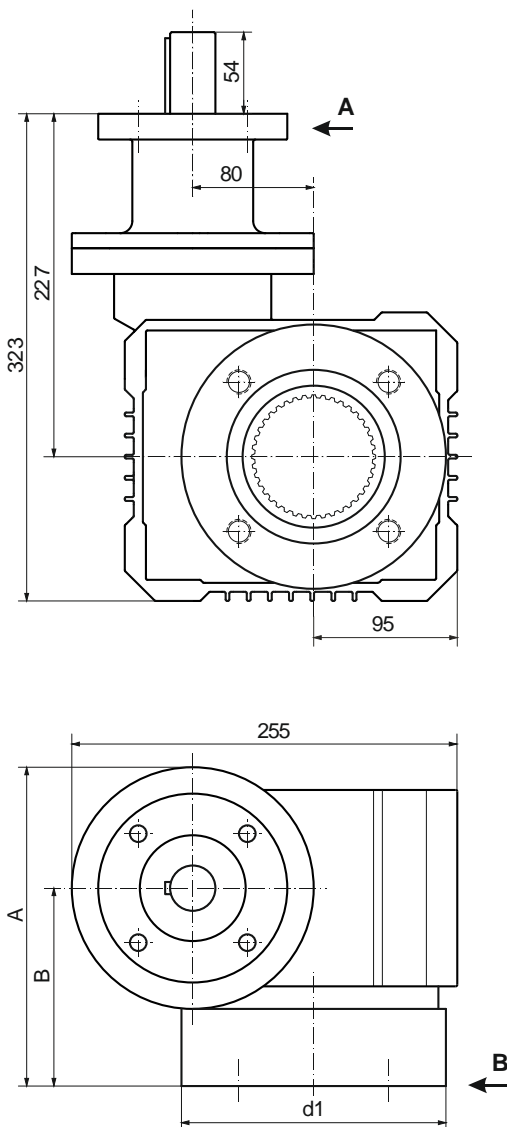


Dimensional drawing 2SP7832, 2SP7833



2SA7821-9 # H2Y

Flange F10  
Output shaft B2/B4



Dimensions	2SP783.	
ISO 5211	F12	F14
A	200	211
B	120	131
ø d1	150	175
ø d3	125	140
d4	M12	M16
ø d5	105	115
h	4	5
h2	19	25
l <sub>max.</sub>	58	68