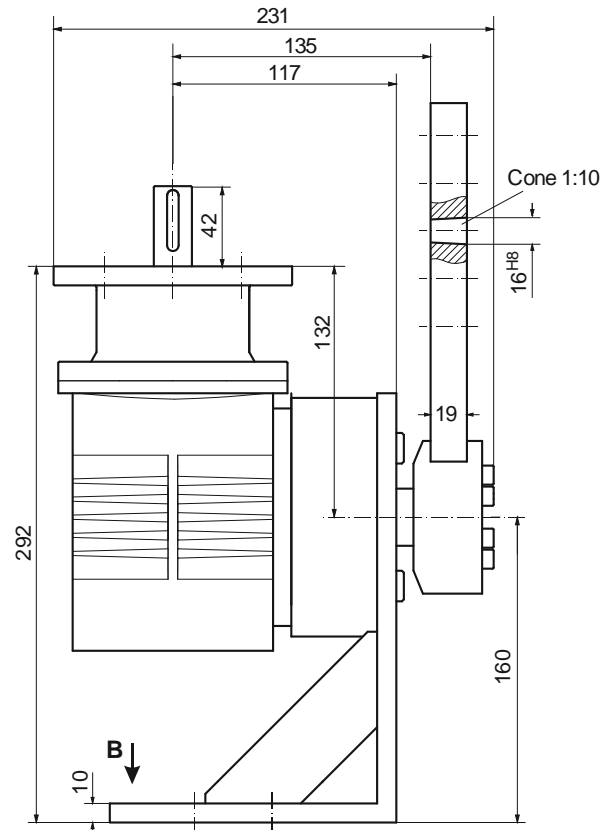
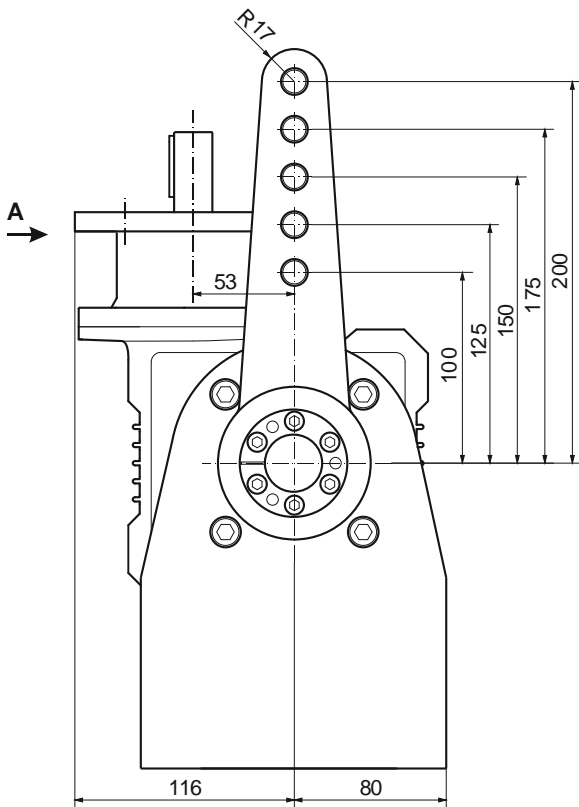


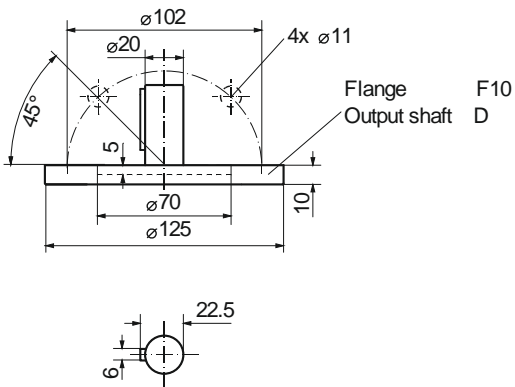
Dimensional drawing **2SP7818, 2SP7828**



2SA7811-5 Flange F10
2SA7821-5 Output shaft B3



Details A



Details B

