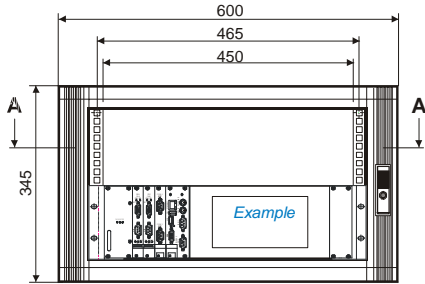


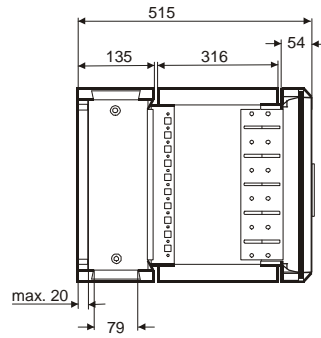
Dimensional drawing **2SM2.3.**  
**Master Station, protection class IP55**

Front view



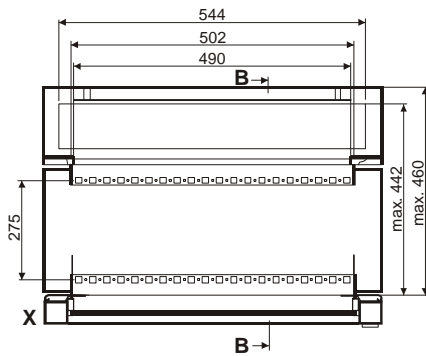
Side view

cross section B-B

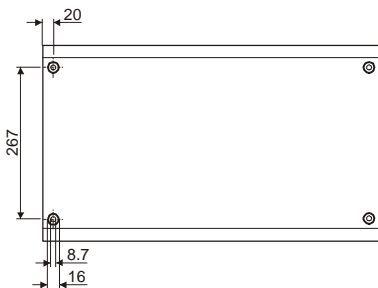


Top view

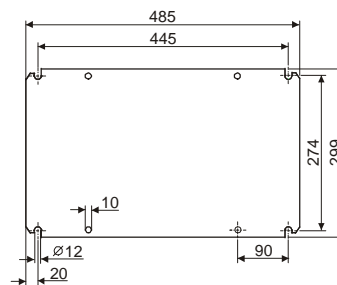
cross section A-A



Bore layout in the back panel



Mounting plate for elec. connection in the back panel



Mounting of the angle bracket

