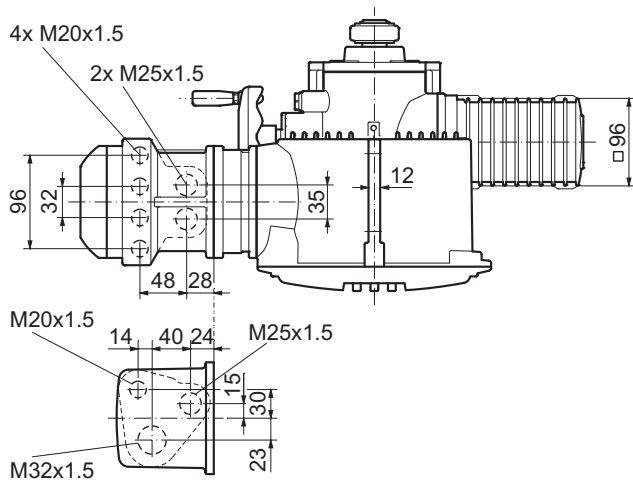
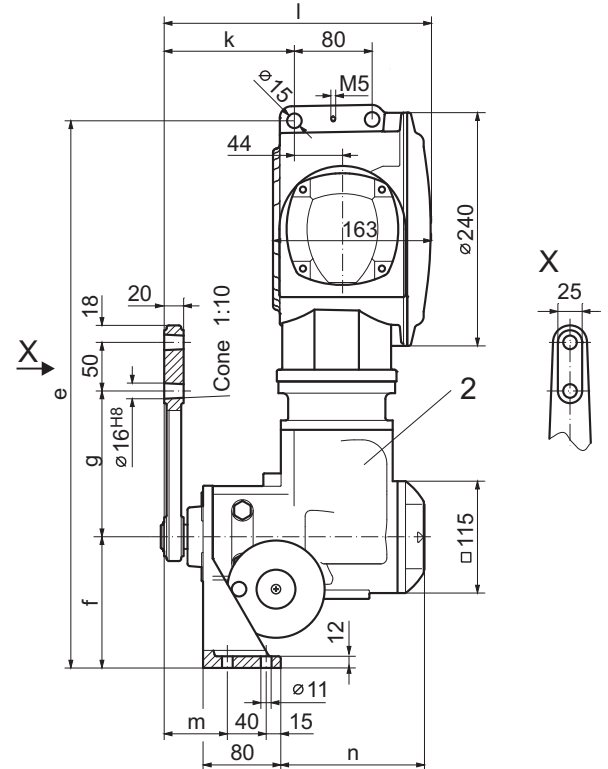
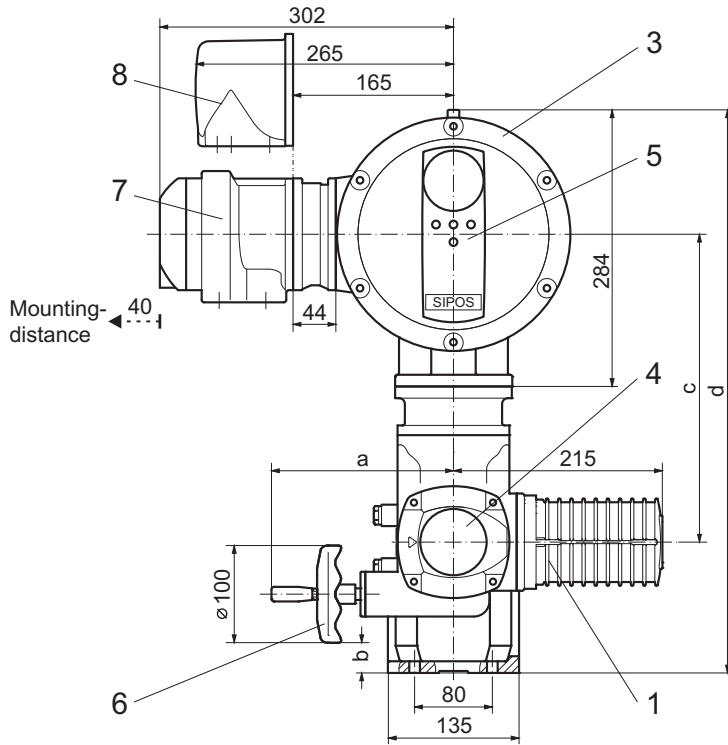


Dimensional drawing **2SG5.08, 2SG5.18**
2SG5.28

R866715

R866716



Dimensions	2SG5.08, 2SG5.18	2SG5.28
a	166	187
b	33	32
c	316	316
d	569	579
e	554	564
f	125	135
g	100	150
k	110	134
l	251	275
m	71	65
n	117	147

- 1 Motor
- 2 Gear
- 3 Electronics unit with converter

- 4 Position indicator
- 5 Local control station
- 6 Hand crank

- 7 Field bus connection / Connection for galvanically separated analog signals
- 8 Direct-/ Plug connection