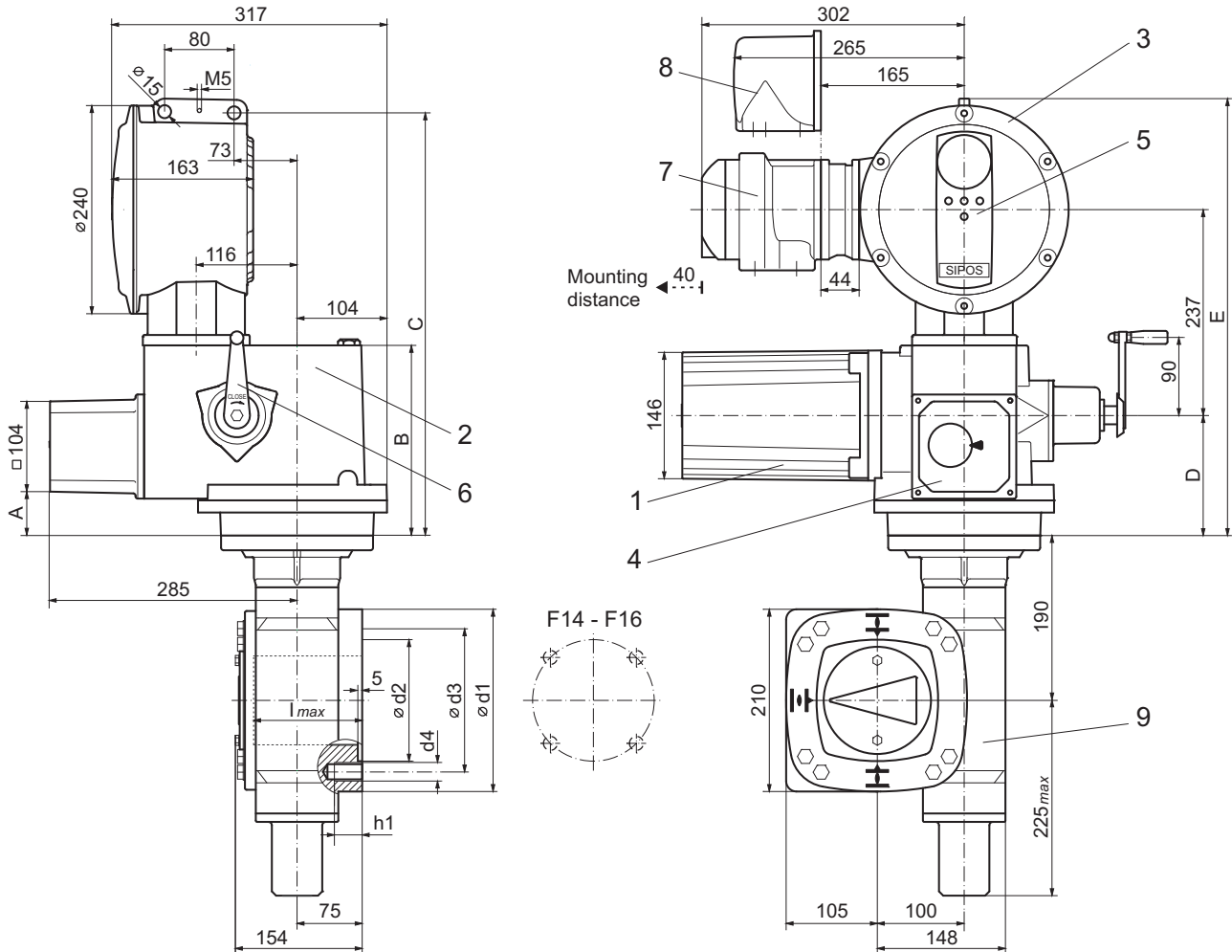


Dimensional drawing **2SC5053, 2SC5054**
2SC5533, 2SC5534

R866710 I



Dimensions	2SC505. 2SC553.
ISO 5211	F14 F16
A	82 50
B	251 219
C	520 488
D	170 138
E	535 503
$\varnothing d1$	175 210
$\varnothing d2$	115 140
$\varnothing d3$	140 165
d4	M16 M20
h1	25 32
l_{max}	125 125

- 1 Motor
- 2 Basic gear
- 3 Electronics unit with converter

- 4 Signaling gear
- 5 Local control station
- 6 Hand crank

- 7 Field bus connection / Connection for galvanically separated analog signals
- 8 Direct-/ Plug connection
- 9 Part-turn unit