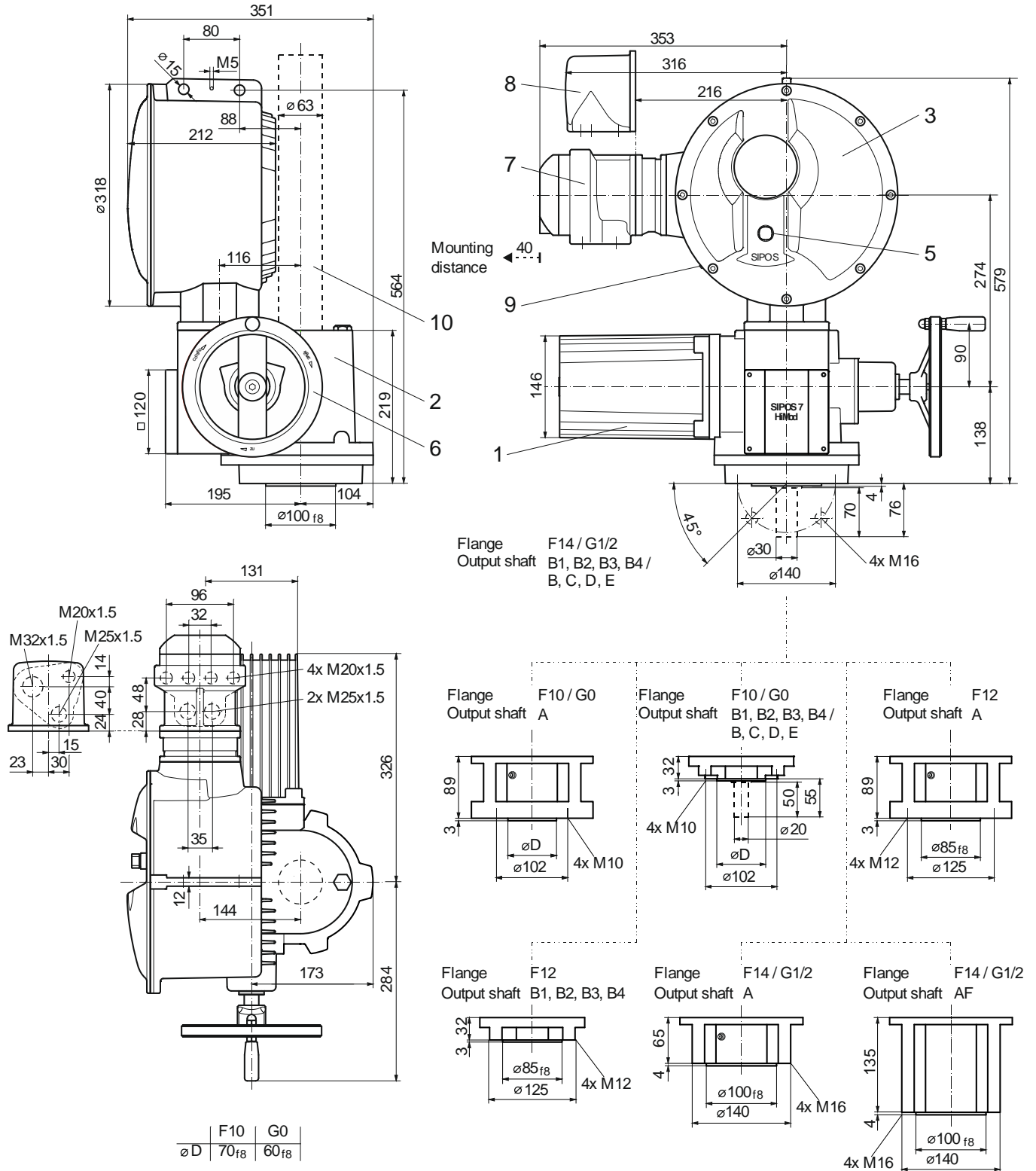


Dimensional drawing **2SA784.-D**

R866863



- | | | |
|--------------------|-------------------------|--|
| 1 Motor | 5 Local control station | 8 Plug connection |
| 2 Gear unit | 6 Hand wheel | 9 USB interface |
| 3 Electronics unit | 7 Field bus connection | 10 Spindle protection tube (for length, see catalog) |