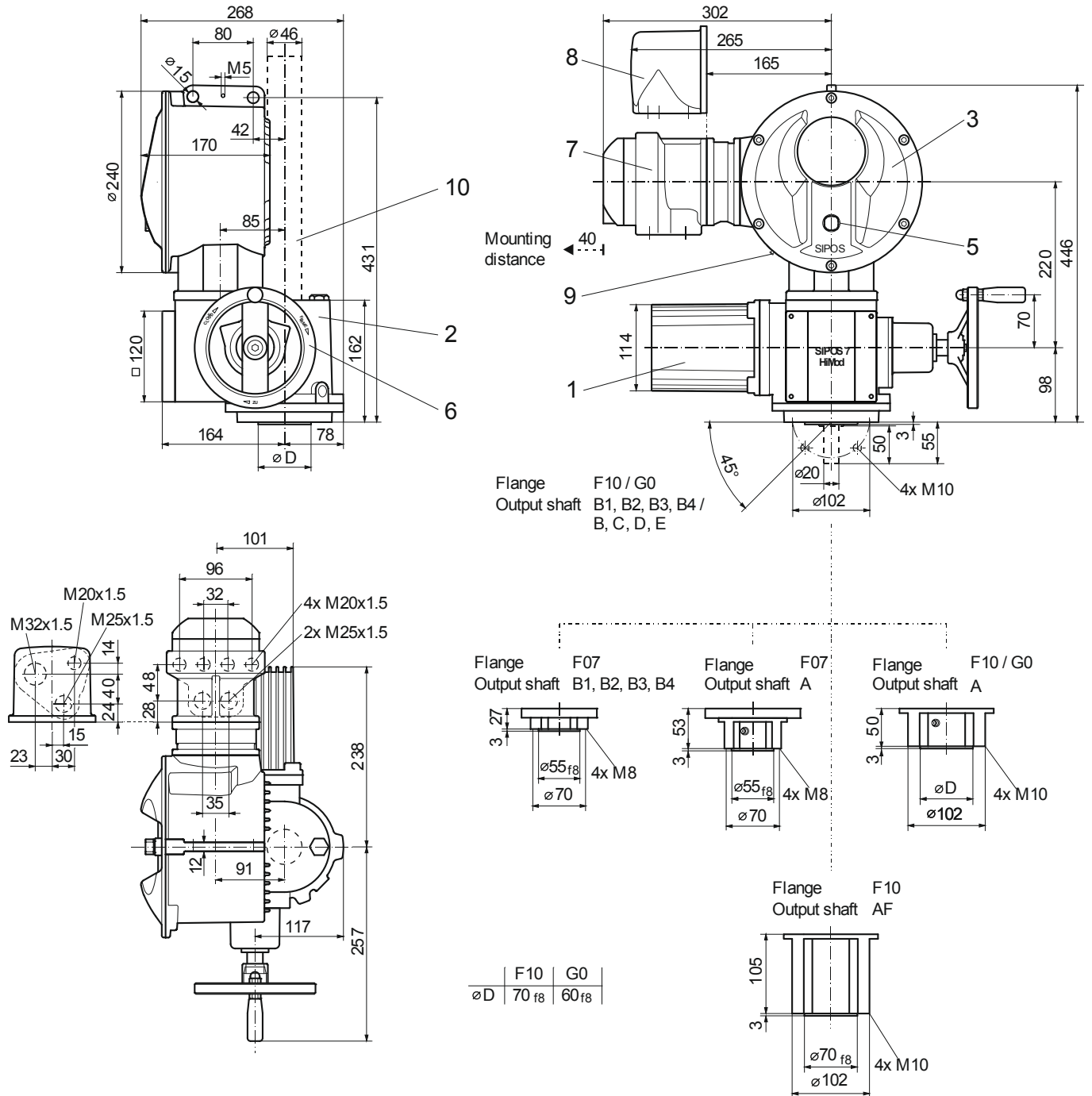


Dimensional drawing 2SA781., 2SA782.

R866861



- | | | | | | |
|---|------------------|---|-----------------------|----|---|
| 1 | Motor | 5 | Local control station | 8 | Plug connection |
| 2 | Gear unit | 6 | Hand wheel | 9 | USB interface |
| 3 | Electronics unit | 7 | Field bus connection | 10 | Spindle protection tube (for length, see catalog) |