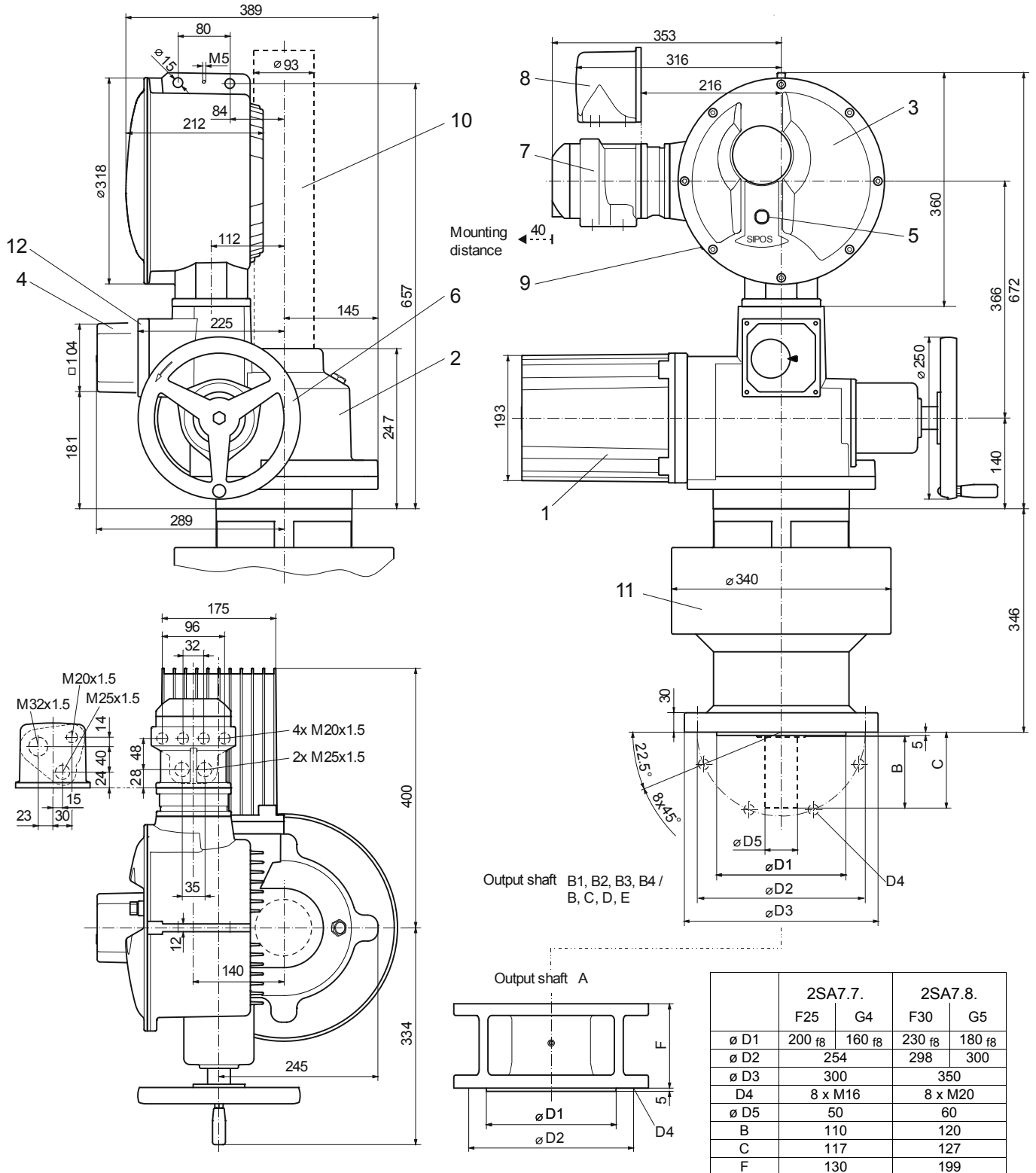


Dimensional drawing **2SA707., 2SA708., 2SA737., 2SA738.,
2SA757., 2SA758.**

R866855



- | | | |
|--------------------|-------------------------|--|
| 1 Motor | 5 Local control station | 9 USB interface (only PROFITRON) |
| 2 Gear unit | 6 Hand wheel | 10 Spindle protection tube (for length, see catalog) |
| 3 Electronics unit | 7 Field bus connection | 11 Intermediate gear (supplied separately) |
| 4 Signaling gear | 8 Plug connection | 12 non-intrusive position encoder |