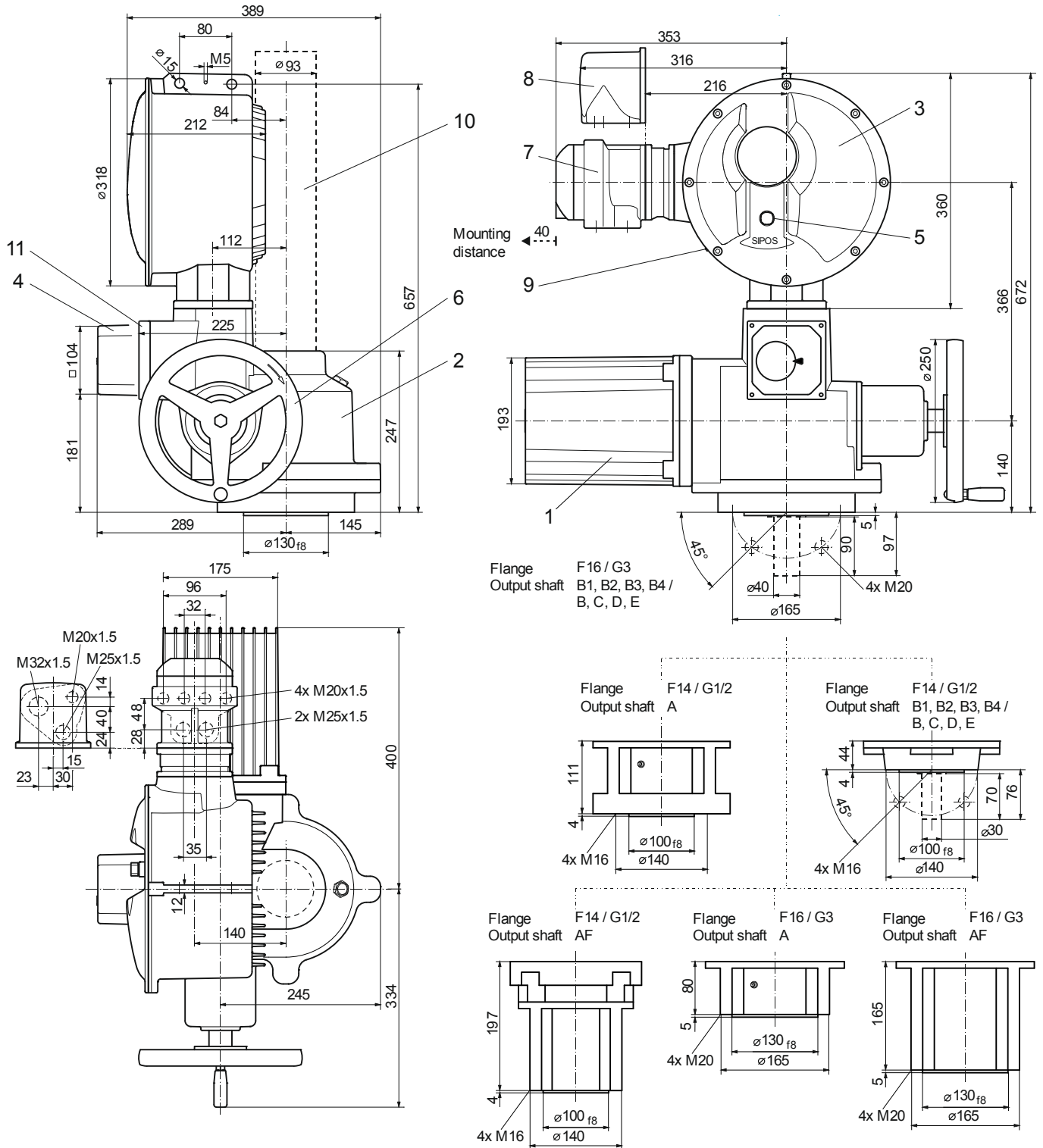


Dimensional drawing **2SA705., 2SA706., 2SA735., 2SA736., 2SA755., 2SA756.**

R866854



- | | | | | | |
|---|------------------|---|-----------------------|----|---|
| 1 | Motor | 4 | Signaling gear | 8 | Plug connection |
| 2 | Gear unit | 5 | Local control station | 9 | USB interface (only PROFITRON) |
| 3 | Electronics unit | 6 | Hand wheel | 10 | Spindle protection tube (for length, see catalog) |
| | | 7 | Field bus connection | 11 | non-intrusive position encoder |