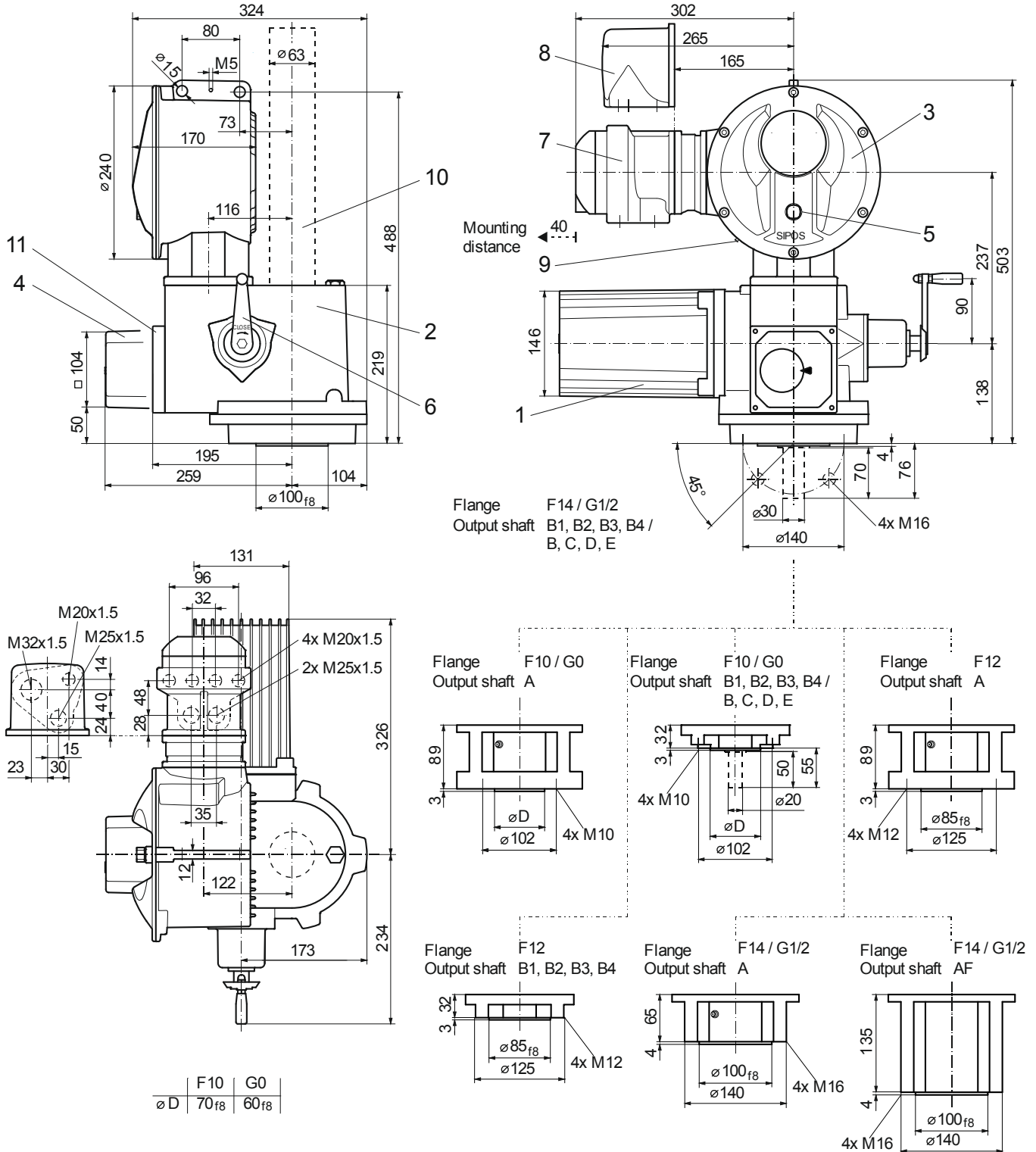


Dimensional drawing **2SA703., 2SA704.-C, 2SA733., 2SA734.-C, 2SA753., 2SA754.-C**

R866852



- |                    |                         |  |
|--------------------|-------------------------|--|
| 1 Motor            | 4 Signaling gear        | 8 Plug connection                                    |
| 2 Gear unit        | 5 Local control station | 9 USB interface (only PROFITRON)                     |
| 3 Electronics unit | 6 Hand crank            | 10 Spindle protection tube (for length, see catalog) |
|                    | 7 Field bus connection  | 11 non-intrusive position encoder                    |