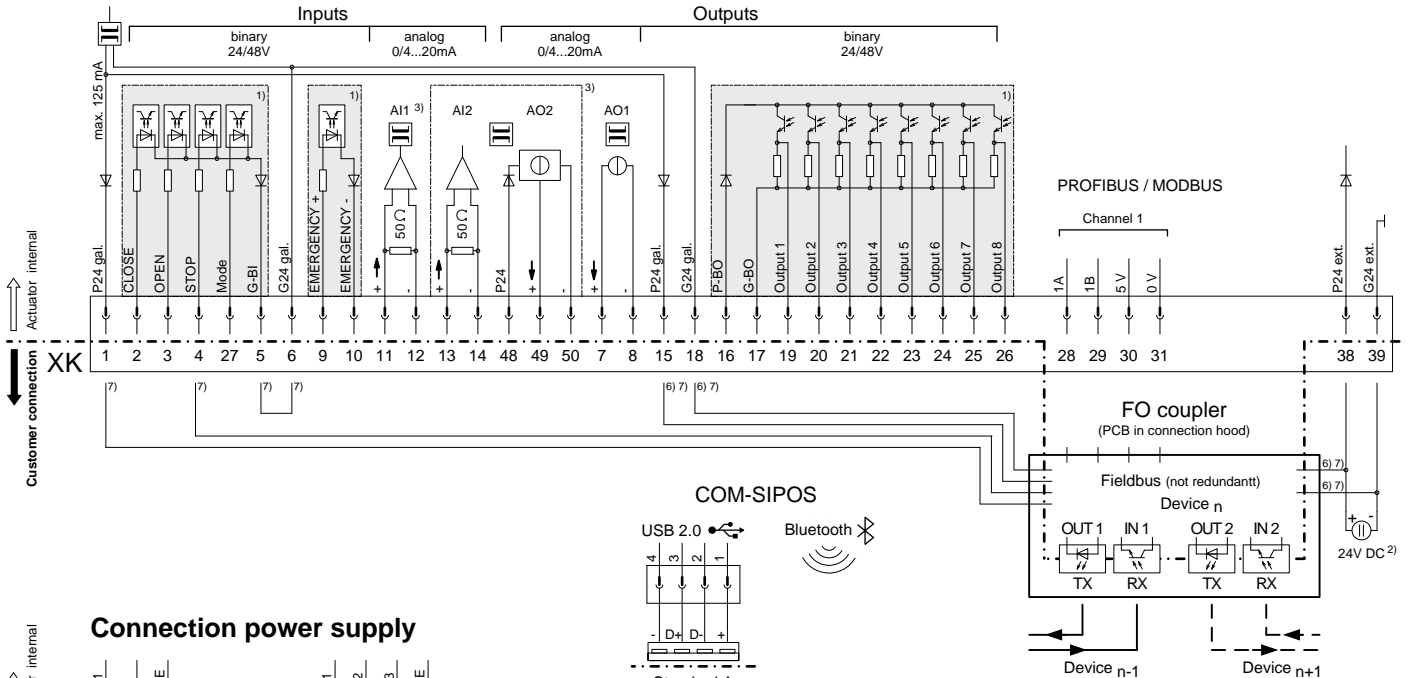
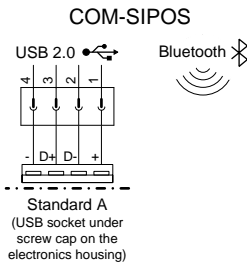
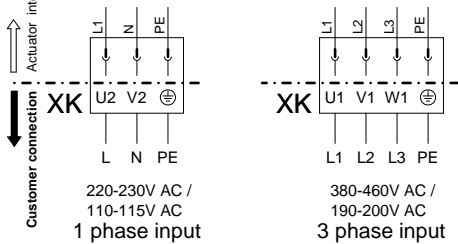


Wiring diagram PROFITRON with Fieldbus and FO "C17", "C18"

Connection control and feedback signals



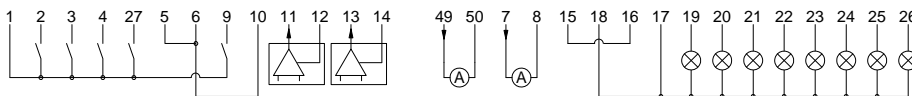
Connection power supply



Customer connection - wiring examples:

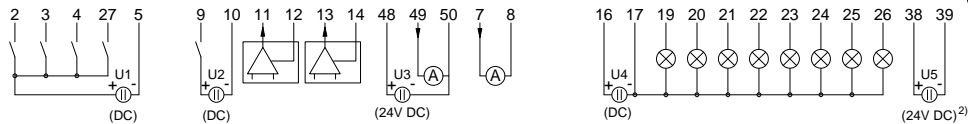
Wiring example I: „internal 24V DC supply“

(here all inputs and outputs are supplied internally from the electronics unit with 24V DC)

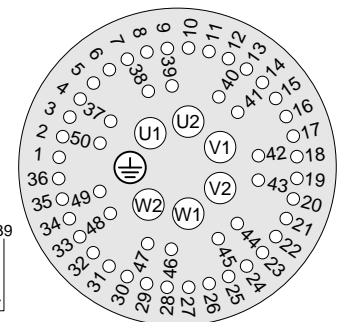


Wiring example II: „external 24/48V DC supplies“

(in this example all galvanically isolated areas are supplied externally from different 24/48V DC power sources)



Plug assignment XK



- 1) galvanically isolated areas: can be supplied from different sources with 24/48V DC
- 2) auxiliary 24V DC supply for electronics unit (if required)
(In case of mains failure both actual position value and actuator status (binary outputs 1-8) will continued to be signalled. Communication via COM-SIPOS or fieldbus – changes of parameters resp. download of actuator data – is possible.)
- 3) option
- 6) factory-wired connection cable only with option „C17“ (FO in linear or star topology)
- 7) factory-wired connection cable only with option „C18“ (PROFIBUS, FO in ring topology)

Wire cross-section max.:
 - 6 mm² Power supply
 - 2.5 mm² Control and feedback signals
 The control/feedback wire **must** be shielded!